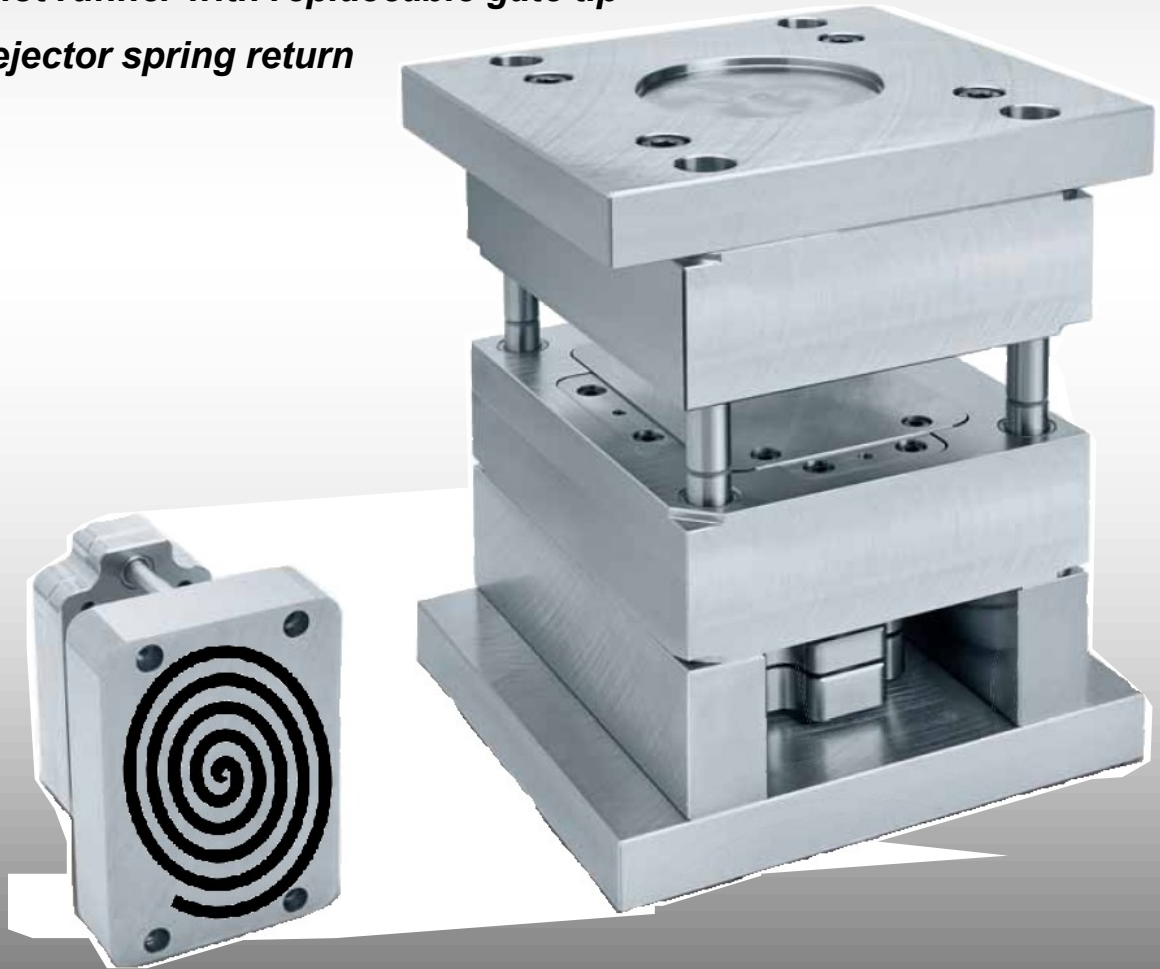
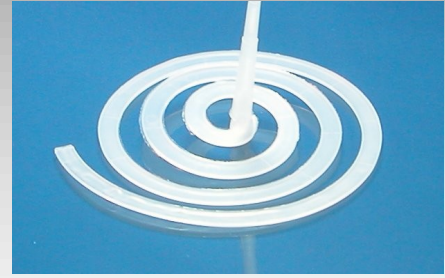


Process & Design Technologies LLC.

Global Plastics Solutions Through Innovation

Spiral Flow Mold

- *Custom spiral design per customers specifications*
- *In press changeable spiral inserts*
- *Cooling circuit included*
- *Standard sprue*
- *Optional locating ring*
- *Optional hot runner with replaceable gate tip*
- *Optional ejector spring return*

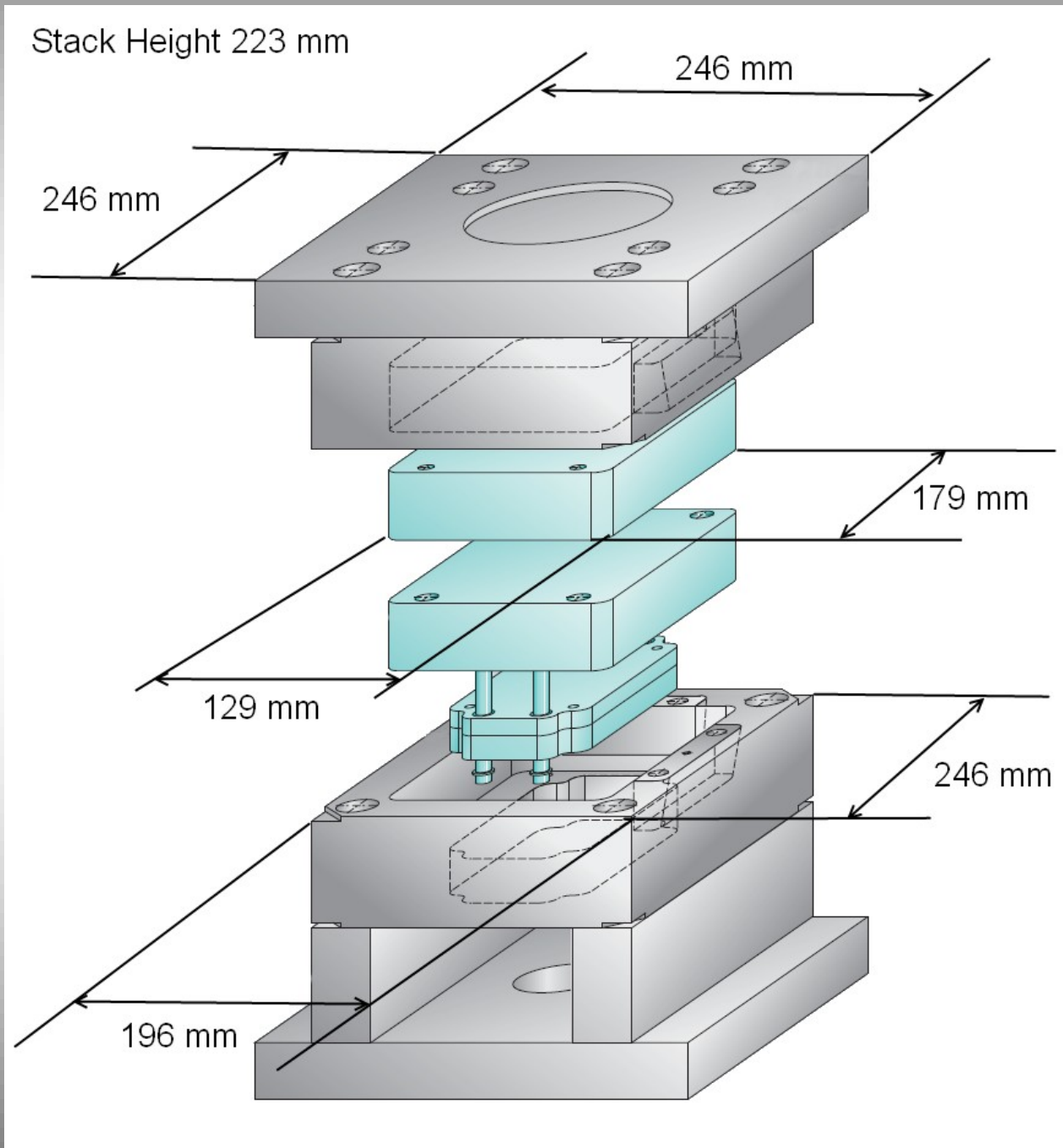


Process and Design Technologies LLC.
www.processdesigntech.com

Process & Design Technologies LLC.

Global Plastics Solutions Through Innovation

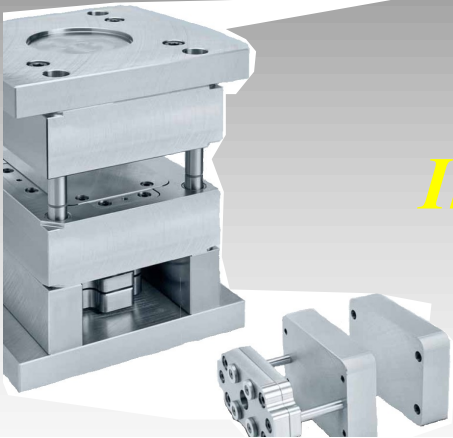
Spiral Flow Mold



Process & Design Technologies LLC.

Global Plastics Solutions Through Innovation

Spiral Flow Mold



Inserts easily changed in the press

